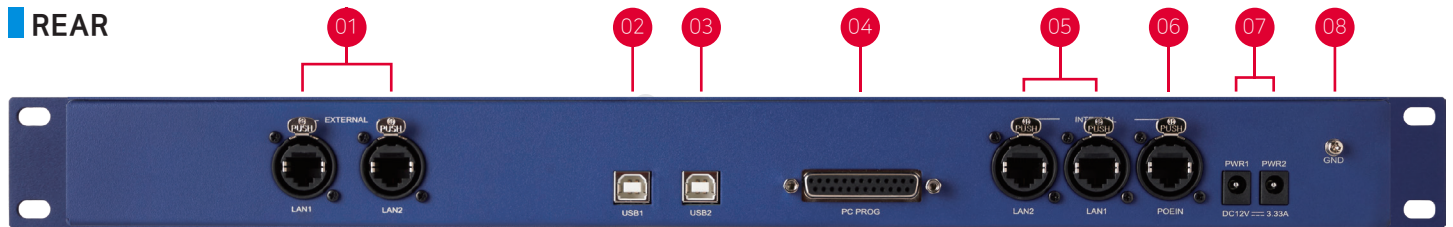


- 01 Power switch
- 02 Power LEDs: PoE Input, DC12V Power 1, DC12V Power 2
- 03 Internal LAN LEDs: PoE, LAN1, LAN2
- 04 Internal LAN status LEDs: Link/Active
- 05 Dante/AES67/USB Audio VOX LEDs (Channel 1, 2, 3, 4)
- 06 USB connection LEDs: USB 1, USB 2 (with the channel 3, 4)



- 01 External LAN1, LAN2 (RJ45)
- 02 USB 1 (Type _B)
- 03 USB 2 (Type _B)
- 04 PC PROG (25-pin female D-type)
- 05 Internal LAN1, LAN 2 (RJ45)
- 06 Internal PoE Input (RJ45)
- 07 12VDC 3.33A Power input 1 and Power input 2 for duplex
- 08 Chassis ground hole

Genie Audio Interface GAIF supports audio I/O connections with external Dante/AES67/USB based devices over Ethernet. It enables the audio data to be sent to Genie specific Key Panels and Group Conference channels for full-duplex communications and vice versa. With a GAIF, 4 Dante/AES67 audio I/O channels are supported of which 2 channels can be used to connect USB devices.

Without a Genie Base Station BS1000 or BS850, you can simply configure a wired intercom system for Genie Key Panels and IP Beltpacks with a Master GAIF. And this system flexibly supports communications in five Genie group conference channels as well as peer-to-peer communication between Genie wired devices depending on the various workflows.

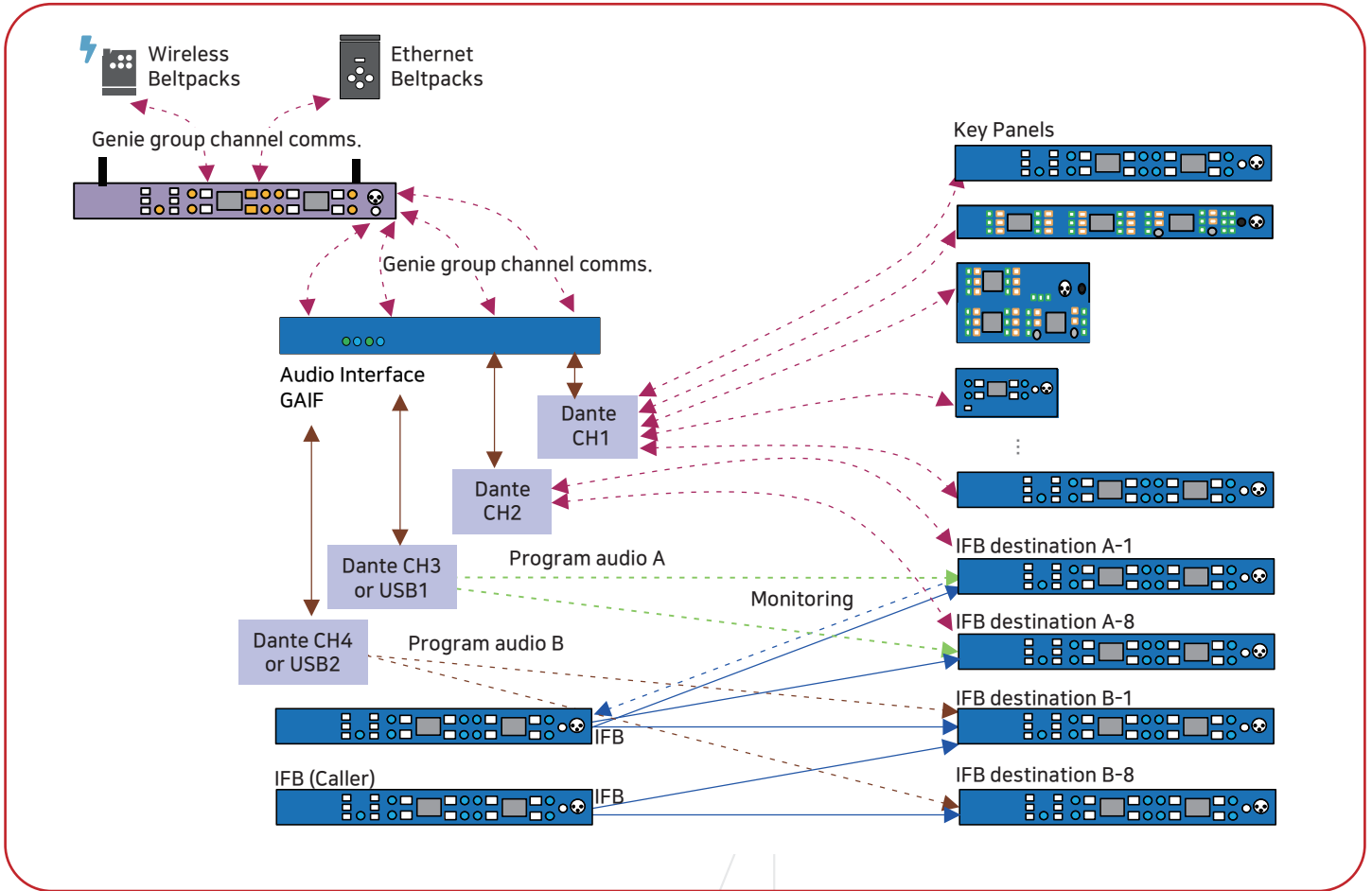
GAIF Specification

Dante audio channels	4 inputs and outputs
Audio format & Sampling rate	24bit / 44.1, 48, 88.2, 96kHz
USB connection	Type B, USB 2.0
PC PROG	25-pin D-sub female, Upgrading the firmware
PoE Input	RJ-45 Connector, 100Mbps Standard PoE specification
LAN	Two RJ-45 Connectors, 100Mbps Standard LAN specification
Power Supply	Consumption: 6.0 watts
	Two 11.4-12.6VDC inputs, PoE input The external PSU provides the 12VDC 3.3A and at its input takes 100-240VAC, 47-63Hz
Operating Temperature	0°C to 50°C (32°F to 122°F)
Dimensions	16.83W × 8.03D × 1.73H inch (42.75W × 20.4D × 4.4H cm)
Weight	3300g

Supported Dante channel

Tx\Rx	0	1	2	3	4
0	-	0x1	0x2	0x3	0x4
1	1x0	1x1	1x2	1x3	1x4
2	2x0	2x1	2x2	2x3	2x4
3	3x0	3x1	3x2	3x3	3x4
4	4x0	4x1	4x2	4x3	4x4

Genie Audio Interface's audio paths with Base Station



Genie Audio Interface connection with Key Panels

