

FRONT



- 01 Power switch
- 02 Power LED

- 03 Network status LEDs (Link/Active)

REAR



- 01 Line A (4-Wire, RJ-45)
- 02 Line B (4-Wire, RJ-45)
- 03 Line C (4-Wire) Input (XLR-3F)
- 04 Line C (4-Wire) Output (XLR-3M)
- 05 Line D (4-Wire) Input (XLR-3F)
- 06 Line D (4-Wire) Output (XLR-3M)
- 07 PC PROG (25-pin female D-type)

- 08 GPIO (25-pin male D-type)
- 09 PoE Input (RJ45)
- 10 LAN 1 (RJ45)
- 11 LAN 2 (RJ45)
- 12 12VDC 3.33A Power Input
- 13 12VDC 3.33A Power Input for duplex
- 14 Chassis ground hole

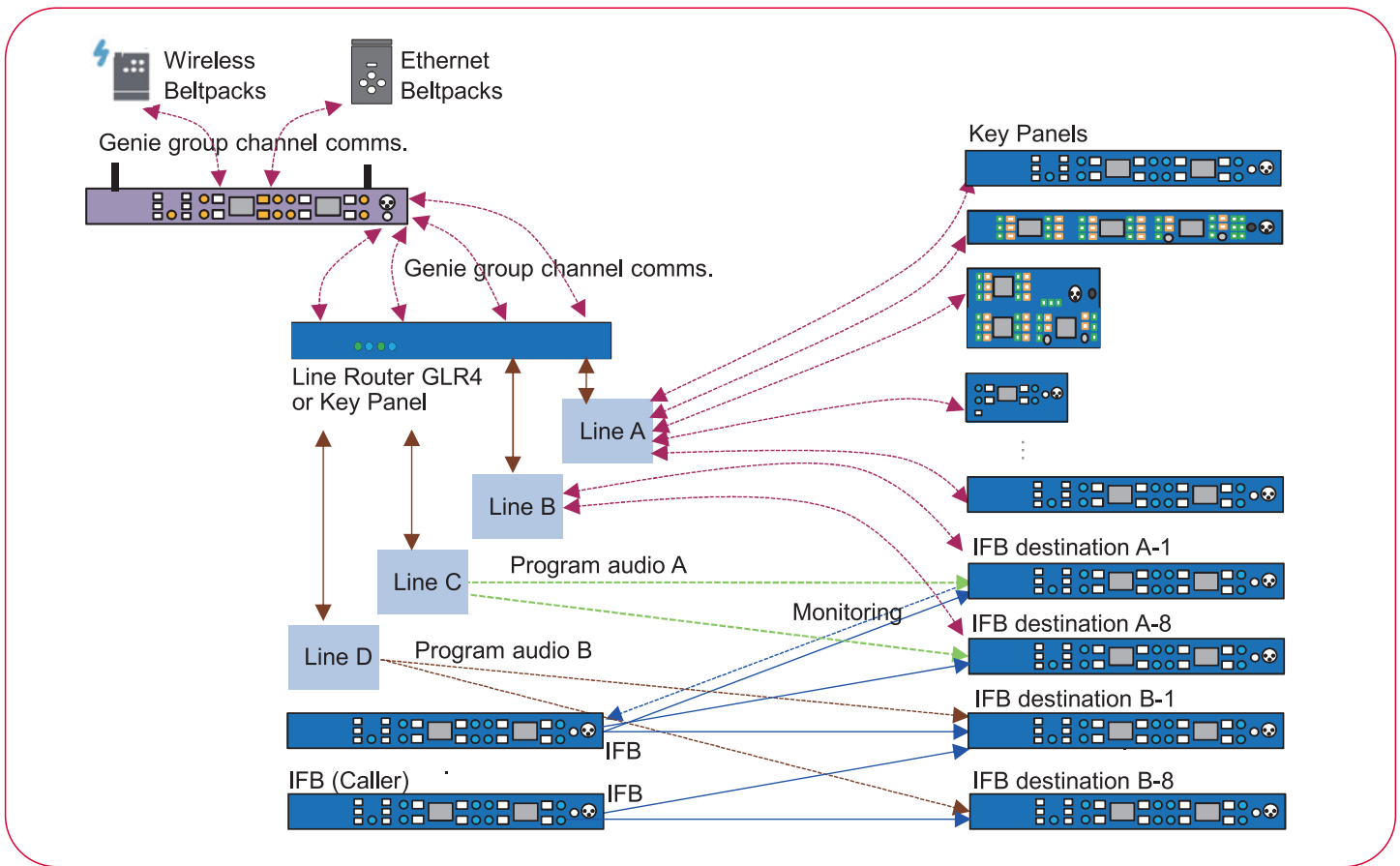
Genie Line Router GLR4 supports full-duplex audio routing communications between the external audio devices connected to Genie through input/output of Line A/B/C/D, and Genie specific Key Panels or Genie group conference channels while a Talk key is not allocated for the communication.

Also, by setting GLR4 in master mode, Genie Key Panel and IP Beltpack can have communications in five Genie group conference channels even without a Base Station. Genie wired system including Key Panel and IP Beltpack can be configured with GLR4 without a Base Station. Meanwhile, GLR4 is not necessary when configuring a Genie wired system with only Key Panels without an IP Beltpack.

GLR4 Specification

Line A and Line B (4-Wire)	Two RJ-45, 600Ω balanced, level adjustable
Line C and Line D (4-Wire)	Input XLR-3F, Output XLR-3M, 600Ω balanced, level Adjustable
GPIO, 12VDC, AUX (D)	DB25M, 2 Relay outputs and 2 Opto-isolated inputs, 12VDC, 600Ω unbalanced, level adjustable
PC PROG	25-pin D-sub female to upgrade the firmware
PoE Input	RJ-45 Connector, 100Mbps Standard PoE specification
LAN	Two RJ-45 Connectors, 100Mbps Standard LAN specification
Power Supply	Consumption: 8 watts Two 12VDC inputs, PoE input The external PSU provides 12VDC 3.3A and at its input takes 100-240VAC, 47-63Hz
Operating Temperature	0°C to 50°C (32°F to 122°F)
Dimensions	16.83W x 8.03D x 1.73H inch (42.75W x 20.4Dx 4.4H cm)
Weight	7.05 lb (3200g)

Line Router's audio paths with Base Station BS1000



Line Router connection with Key Panels

