



# UV515

## Series Full HD PTZ Camera



**Full HD, Wide View Angle, MULTI-PROTOCOLS, MULTIPLE VIDEO INTERFACES**

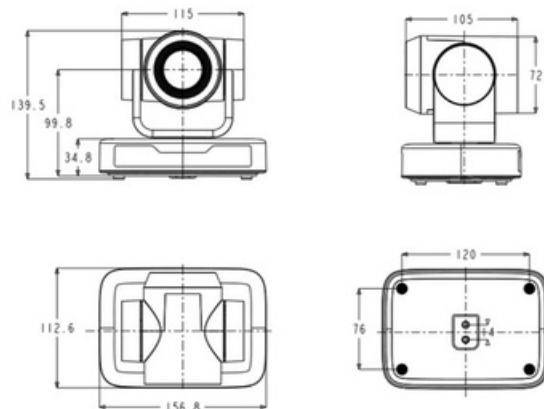
THE UV515 SERIES CAMERA OFFERS PERFECT FUNCTIONS, SUPERIOR PERFORMANCE AND RICH INTERFACES. THE FEATURES INCLUDE ADVANCED ISP PROCESSING ALGORITHMS TO PROVIDE VIVID IMAGES WITH A STRONG SENSE OF DEPTH, HIGH RESOLUTION, AND FANTASTIC COLOR RENDITION.

### KEY FEATURES

- **FULL HD IMAGE:** UV515 EMPLOYS 1/2.9 INCH HIGH QUALITY CMOS SENSOR. RESOLUTION IS UP TO 1920X1080 WITH FRAME RATE UP TO 30FPS.
- **MULTIPLE OPTICAL ZOOM:** 3X AND 10X OPTICAL ZOOM LENS FOR SELECTION.
- **LEADING AUTO FOCUS TECHNOLOGY:** ADVANCED AND LEADING ALGORITHM ENABLES THE CAMERA AUTO FOCUS FAST AND ACCURATELY.
- **LOW NOISE AND HIGH SNR:** LOW NOISE CMOS ENSURES SUPER HIGH SNR IMAGE. THE ADVANCED 2D/3D NOISE REDUCTION TECHNOLOGY REDUCES THE NOISE WHILE ENSURING HIGH IMAGE CLARITY.
- **MULTIPLE CONTROL PROTOCOLS:**SUPPORT VISCA, PELCO-D, PELCO-P PROTOCOLS; SUPPORT AUTOMATIC IDENTIFICATION PROTOCOLS.
- **CONTROL INTERFACE:** RS485, RS232 IN & OUT, SUPPORT CASCADE CONNECTION.

- **EXTREMELY QUIET PTZ:** ADOPTING STEP DRIVING MOTOR MECHANISM AND MOTOR DRIVE CONTROLLER WITH HIGH PRECISION IS TO ENSURE PTZ WORKS SMOOTHLY WITH LOW SPEED AND WITHOUT NOISE.
- **LOW-POWER SLEEP FUNCTION:** SUPPORT LOW-POWER SLEEP/WAKE UP, THE CONSUMPTION IS LOWER THAN 400MW UNDER SLEEP MODE.
- **MULTIPLE PRESET:** UP TO 255 PRESETS (10 PRESETS FOR IR REMOTE CONTROL).
- **MULTIPLE APPLICATIONS:** ONLINE-EDUCATION, LECTURE CAPTURE, BROADCASTING, VIDEO CONFERENCING, TELE-MEDICINE, UNIFIED COMMUNICATION, EMERGENCY COMMAND AND CONTROL SYSTEMS, ETC.

### DIMENSION:



# TECHNICAL SPECIFICATIONS

PARAMETER/MODEL	UV515-03	UV515-10
<b>PLATFORM BASIC PARAMETERS</b>		
APERTURE	F1.7~F3.0	F1.85 - F2.43
VIEW ANGLE	30° ~85°	8.8° ~ 68.8°
OPTICAL LENS	3X F=3.35MM~10.05MM	10X F=4.34MM~41.66MM
IMAGE SENSOR	1/2.9 INCH HIGH QUALITY CMOS SENSOR	
EFFECTIVE PIXELS	207万、16: 9	
VIDEO FORMAT	1920×1080P@30 FPS/25FPS; 1280×720P@30FPS/25FPS; 1024×576P@30FPS/25FPS; 960×540P@30FPS/25FPS; 800×448P@30FPS/25FPS; 640×360P@30FPS/25FPS; 320×176P@30FPS/25FPS	
DIGITAL ZOOM	10X	
LOW ILLUMINATION	0.5LUX (F1.8, AGC ON)	
DNR	2D & 3DDNR	
WHITE BALANCE	AUTO / MANUAL/ ONE PUSH//3000K/3500K/4000K/4500K/5000K/5500K/6000K/6500K/7000K	
FOCUS	AUTO / MANUAL/ ONE PUSH	
ELECTRONIC SHUTTER	AUTO / MANUAL	
BLC	ON/OFF	
WDR	OFF/ DYNAMIC LEVEL ADJUSTMENT	
VIDEO ADJUSTMENT	BRIGHTNESS, COLOR, SATURATION, CONTRAST, SHARPNESS, B/W MODE, GAMMA CURVE	
SNR	>50dB	
<b>INTERFACE AND PROTOCO</b>		
VIDEO OUTPUT	USB2.0. TYPE A	
VIDEO COMPRESSION	MJPEG, H.264, H.265	
CONTROL PORT	RS232 IN & OUT, RS485	
CONTROL PROTOCOL	VISCA/PELCO-D/PELCO-P	
POWER SUPPLY	HEC3800 OUTLET (DC12V)	
<b>USB CHARACTERISTICS</b>		
SUPPORT OPERATING SYSTEM	Windows 7,Windows8, Windows10, Mac osx ,Linux	
VIDEO COMPRESSION	MJPEG/H264/H265	
USB COMMUNICATION PROTOCOL	UVC	
<b>PTZ PARAMETER</b>		
PAN ROTATION	-170° ~+170°	
TILE ROTATION	-30° ~+90°	
PAN CONTROLLER SPEED	0.1 ~60° /S	
TILE CONTROLLER SPEED	0.1~30° /S	
PRESET SPEED	PAN:60° /SECOND, TILT: 30° /SECOND	
PRESET NUMBERS	255 PRESETS (10 PRESETS ON IR REMOTE)	
<b>OTHER PARAMETER</b>		
WORKING VOLTAGE	12V	
WORKING CURRENT	0.25A (max)	
POWER CONSUMPTION	2.5W (MAX)	
STORAGE TEMPERATURE	-10°C~+60°C, 20%~95%	
WORKING TEMPERATURE	-10°C~+50°C, 20%~80%	
DIMENSION (W*H*D)	156.8MM×112.6MM×139.5MM	
WEIGHT	1KG	
USAGE	INDOOR ONLY	
PACKAGE	POWER SUPPLY, USB2.0 CABLE, REMOTE CONTROLLER, USER MANUAL	
ACCESSORIES OPTIONAL	MOUNT (EXTRA COST)	



Гарантия на  
все продукты  
Сервис-центр  
в Москве

Мария Еренкова  
Brand-manager Minrray  
mail: maria.erenkova@proland.ru  
Контактный телефон: +7 926 217 96 21  
tg: @mikkaella\_msc

