

FRONT



- 01 Power switch
- 02 Power LED

- 03 Network status LEDs (Link/Active)

REAR



- 01 Line A (4-Wire, RJ-45)
- 02 Line B (4-Wire, RJ-45)
- 03 Line C (4-Wire) input (XLR-3F)
- 04 Line C (4-Wire) output (XLR-3M)
- 05 Line D (4-Wire) input (XLR-3F)
- 06 Line D (4-Wire) output (XLR-3M)
- 07 PC PROG (25-pin female D-type)

- 08 GPIO (25-pin male D-type)
- 09 LAN 1(RJ45)
- 10 LAN 2(RJ45)
- 11 PoE Input(RJ45)
- 12 12VDC 3.33A Power input
- 13 12VDC 3.33A Power input for duplex
- 14 Chassis ground hole

Genie WAN Link GWL is a device that connects Genie Key Panels and Genie wireless devices at remote locations over the WAN or an internet. The intercoms other than Genie can also be used with 4-Wire connections. Genie Wan Link supports for the communications in Genie Group Conference channels as well as Panel-to-Panel communications over the WAN or internet which facilitates the crucial intercom communications for remote productions.

GWL at a glance

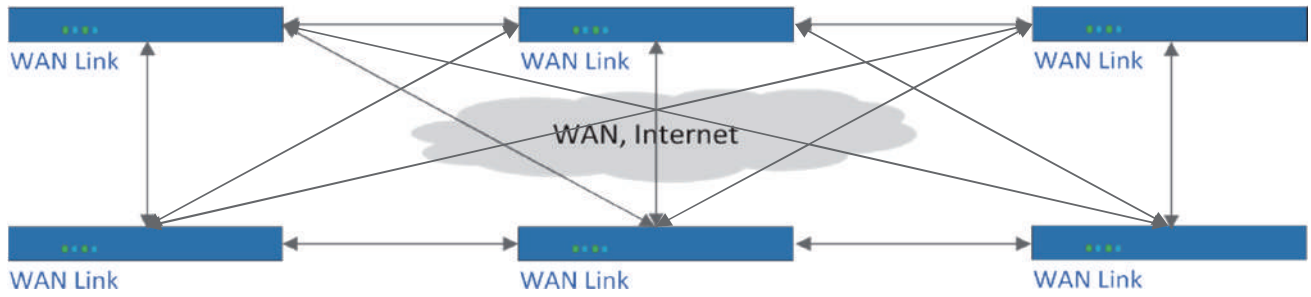
Model	Description	Talk Key	4-Wire	LAN	PoE In	Relay	Opto Input	Format	Power Redundancy
GWL	WAN Link	-	4	2	1	-	-	1RU	(2 x PSU) + PoE

GWL Main features

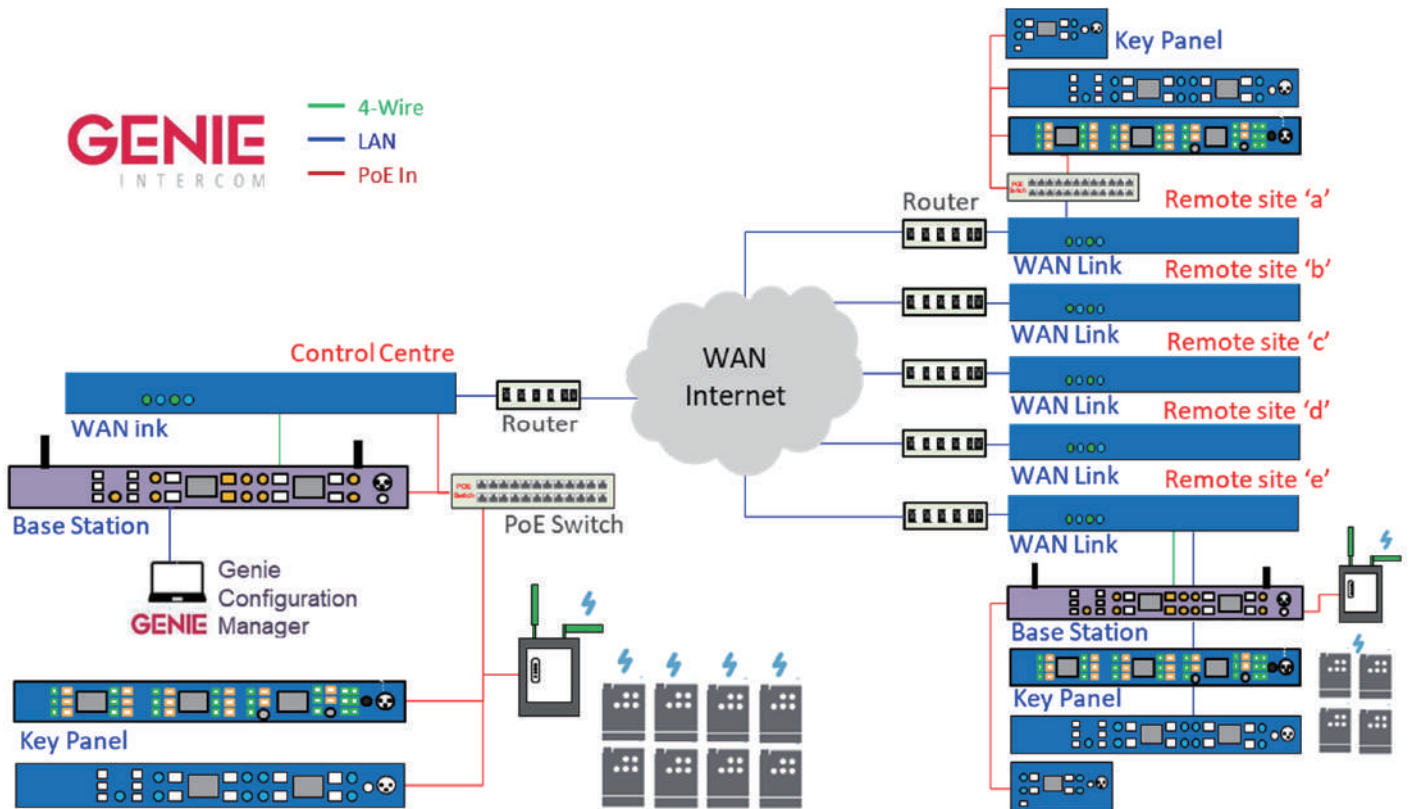
- ▶ Scalable connections
 - Up to 6 WAN Links can be connected to each other.
 - 6 simultaneous full-duplex channels per one WAN Link
 - Select the Key Panels to be connected to WAN Links from up to 128 Key Panels of the remote locations
- ▶ Communications with Genie Group conference channels among remote locations
- ▶ Robust Mesh network
- ▶ GPIO (Relay, OPTO-isolated input, Unbalanced audio)
- ▶ 4 Lines (A, B, C, D) for 4 x 4-Wire
- ▶ 1 x PoE In, 2 x LAN
- ▶ 12V DC Dual power

GENIE WAN Link connection

Mesh Network



WAN Link establishes a robust mesh network. It can be connected to any other WAN Links within up to six(6). Communication is available among the Wireless Beltpacks of Base Stations connected to the Line (4-Wire) of each WAN Link as well as Peer to Peer communications among the Key Panels connected to any WAN Links.



GWL Specification

Line A and Line B (4-Wire)	Two RJ-45, 600Ω balanced, level adjustable
Line C and Line D (4-Wire)	Input XLR-3F, Output XLR-3M, 600Ω balanced, level Adjustable
GPIO, 12VDC, AUX (D)	DB25M, 12VDC, 600Ω unbalanced, level adjustable
PC PROG	25-pin D-sub female, Upgrading the firmware
PoE Input	RJ-45 Connector, 100Mbps Standard PoE specification
LAN	Two RJ-45 Connectors, 100Mbps Standard LAN specification
Power Supply	Consumption: 8 watts Two 12VDC inputs, PoE input The external PSU provides 12VDC 3.33A and at its input takes 100-240VAC, 47-63Hz
Operating Temperature	0°C to 50°C (32°F to 122°F)
Dimensions	16.83W x 8.03D x 1.73H inch (42.75W x 20.4D x 4.4H cm)
Weight	7.05 lb (3200g)